

## **RHQ Service Advisories**

*For Yanmar branded agricultural equipment*

---

**Attention:** YANMAR AGRICULTURAL DISTRIBUTOR

---

**Category** Service and Parts

**Date** 16 May 2011

**RHQSA number** YEUAG11-002

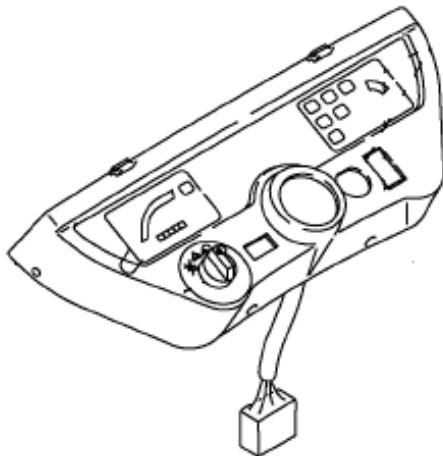
**Product** KE-140, KE-160 and KE-200H tractors

---

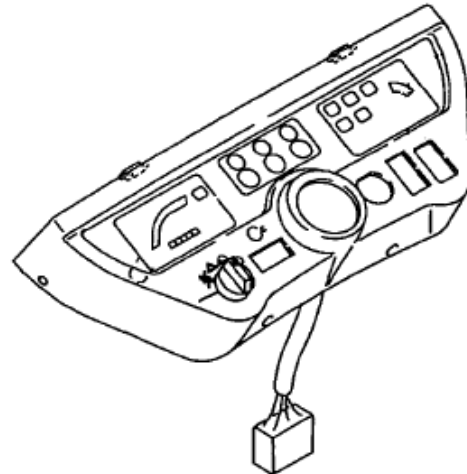
**Subject** **Instrument panel single parts on KE tractors**

---

Single parts numbers of instrument panel have been released.  
Refer from next page as a supplement of current spare parts catalog.



Panel for KE-140, 160



Panel for KE-200H



---

M. Wada  
Agricultural equipment dept.  
YANMAR EUROPE B.V.  
Email; [agriquiry@yanmar.nl](mailto:agriquiry@yanmar.nl)

**RHQ Service Advisories for Yanmar branded agricultural equipment**

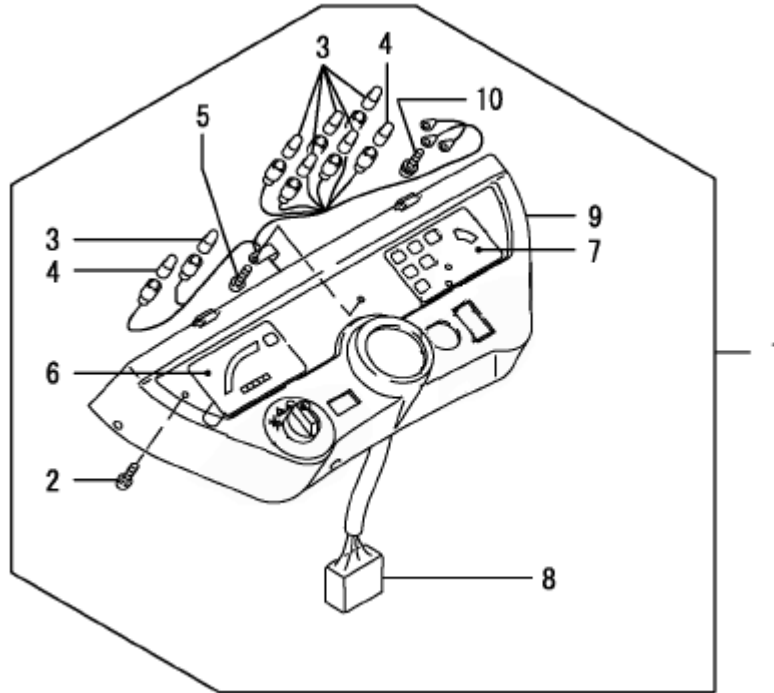
RHQSA number YEUG11-002

Product KE-140, KE-160 and KE-200H tractors

Subject Instrument panel single parts of on KE tractors

Tractor model: KE-140, KE-160

Serial number range: all



| REF. | LEV. | PARTS NO.    | DESCRIPTION         | Q'TY   |        |
|------|------|--------------|---------------------|--------|--------|
|      |      |              |                     | KE-140 | KE-160 |
| 1    | 1    | 198163-56300 | PANEL ASSY, INSTRU. | 1      | 1      |
| 2    | 2    | 1C6460-36151 | SCREW 4X16,PLASTICS | 8      | 8      |
| 3    | 2    | 194555-55820 | BULB 12V-1.7W       | 5      | 5      |
| 4    | 2    | 198421-56150 | VALVE               | 1      | 1      |
| 5    | 2    | 198421-56200 | SCREW M4X10         | 1      | 1      |
| 6    | 2    | 198163-56310 | METER ASSY,HOUR     | 1      | 1      |
| 7    | 2    | 198163-56320 | METER ASSY, FUEL    | 1      | 1      |
| 8    | 2    | 198163-56330 | CORD ASSY           | 1      | 1      |
| 9    | 2    | 198163-56340 | VISOR ASSY          | 1      | 1      |
| 10   | 2    | 26022-030222 | SCREW 3X22 W/SW     | 3      | 3      |

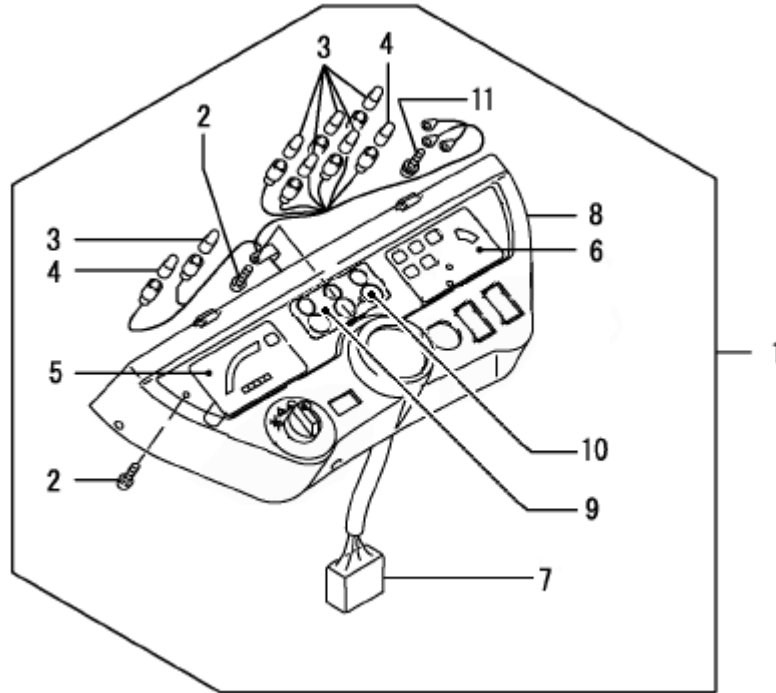
**RHQ Service Advisories for Yanmar branded agricultural equipment**

**RHQSA number** YEUG11-002

**Product** KE-140, KE-160 and KE-200H tractors

**Subject** Instrument panel single parts of on KE tractors

**Tractor model:** KE-200H  
**Serial number range:** up to 130455



| REF. | LEV. | PARTS NO.    | DESCRIPTION          | Q'TY |
|------|------|--------------|----------------------|------|
| 1    | 1    | 198167-56300 | PANEL,CMP INSTRUMENT | 1    |
| 2    | 2    | 1C6460-36151 | SCREW 4X16,PLASTICS  | 8    |
| 3    | 2    | 194555-55820 | BULB 12V-1.7W        | 9    |
| 4    | 2    | 198421-56150 | VALVE                | 2    |
| 5    | 2    | 198167-56310 | METER ASSY,HOUR      | 1    |
| 6    | 2    | 198167-56320 | METER ASSY, FUEL     | 1    |
| 7    | 2    | 198167-56330 | CORD ASSY            | 1    |
| 8    | 2    | 198167-56340 | VISOR ASSY           | 1    |
| 9    | 2    | 198167-56350 | PANEL                | 1    |
| 10   | 2    | 198167-56360 | CODE ASSY, LAMP      | 1    |
| 11   | 2    | 26022-030222 | SCREW 3X22 W/SW      | 3    |

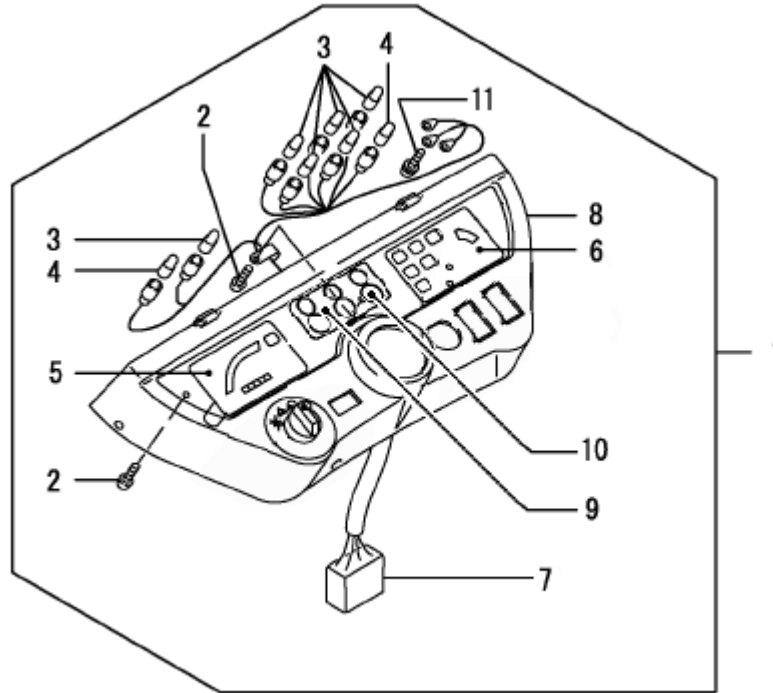
**RHQ Service Advisories for Yanmar branded agricultural equipment**

RHQSA number YEUG11-002

Product KE-140, KE-160 and KE-200H tractors

Subject Instrument panel single parts of on KE tractors

Tractor model: KE-200H  
Serial number range: from 130456



| REF. | LEV. | PARTS NO.    | DESCRIPTION         | Q'TY |
|------|------|--------------|---------------------|------|
| 1    | 1    | 1A6781-56300 | PANEL CMP           | 1    |
| 2    | 2    | 1C6460-36151 | SCREW 4X16,PLASTICS | 8    |
| 3    | 2    | 194555-55820 | BULB 12V-1.7W       | 11   |
| 4    | 2    | 198421-56150 | VALVE               | 2    |
| 5    | 2    | 1A6781-56310 | METER ASSY,HOUR     | 1    |
| 6    | 2    | 1A6781-56320 | METER ASSY, FUEL    | 1    |
| 7    | 2    | 1A6781-56330 | CORD ASSY           | 1    |
| 8    | 2    | 198167-56340 | VISOR ASSY          | 1    |
| 9    | 2    | 198167-56350 | PANEL               | 1    |
| 10   | 2    | 198167-56360 | CODE ASSY, LAMP     | 1    |
| 11   | 2    | 26022-030222 | SCREW 3X22 W/SW     | 3    |